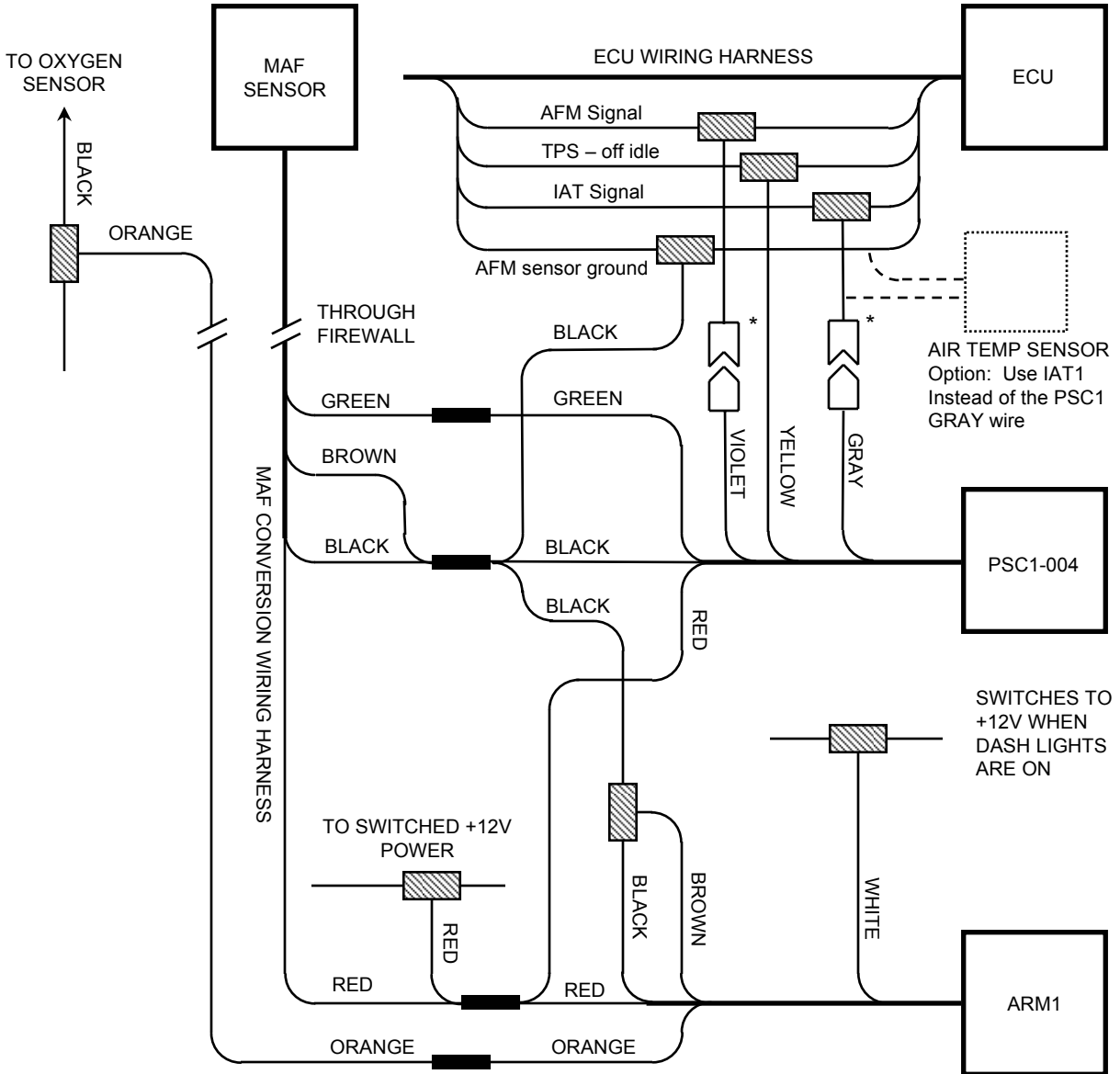


# Wiring For MAF Conversion Using PSC1-004



■ BUTT SPLICE CONNECTOR

○ RING CRIMP CONNECTOR

▨ INSTANT SPLICE CONNECTOR

◁ ▷ IN-LINE CONNECTOR

\* NOTE: IN-LINE CONNECTORS MUST BE DISCONNECTED IF THE STOCK AIR FLOW METER IS RECONNECTED